

Datapatch/RS422



JR-16N

Application & Features

Application

- Computer Data Interconnection
- RS422 Patching
- Universal Machine Control
- Editor to VTR Patching



JR-32N

Features

- Patch between any two data paths with reliable audio-type patchcord
- Easy interconnection of data ports (9-pin D connectors with screwlocks)
- Enclosed steel chassis (19", 480mm rack-mount x 12", 300mm deep)



JR-48N

Polarity Protected



AVP Databcord

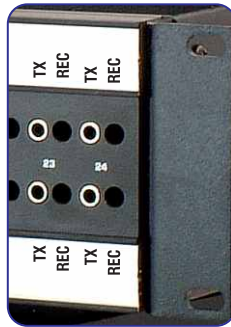
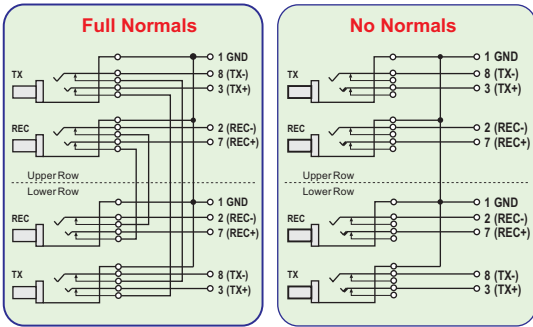
- Reduce the risk of equipment damage!
- Keyed jacks and patchcords eliminate inadvertent cross-patches

The jacks and plugs of this jackfield are polarized for the user's protection. However, use of patchcords other than the AVP Databcord, or any other pair transposition within the customer's equipment will circumvent this polarity protection.

- Datapatch Polarity Protected Bantam Patchcords: 2', [600mm] and 3', [900mm]. Please see page 54.

Polarity Protected

Datapatch Schematic



Note 1.
Grounds are bussed unless requested otherwise.

Note 2.
The jacks and plugs of this jackfield are polarized for the user's protection. However, use of patch cords other than the AVP Datacord or any other pair transposition within the customer's equipment will circumvent this polarity protection.

TX: Transmit
REC: Receive

Datapatch Schematic

Product Listing

Model	Description
Datapatch / RS422	
JR-16N	1RU 1.75", 45mm Panel, 8 Send/Receive Circuit Pairs, Full Normals installed at jacks
JR-16	1RU 1.75", 45mm Panel, 16 Circuits, No Normals
JR-32N	2RU 3.50", 89mm Panel, 16 Send/Receive Circuit Pairs, Full Normals installed at jacks
JR-32	2RU 3.50", 89mm Panel, 32 Circuits, No Normals
JR-48N	2RU 3.50", 89mm Panel, 24 Send/Receive Circuit Pairs, Full Normals installed at jacks
JR-48	2RU 3.50", 89mm Panel, 48 Circuits, No Normals

Ordering Information

Designation Layouts

