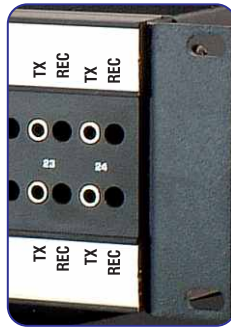
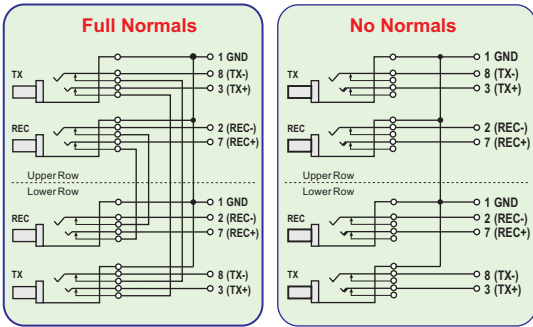


Datapatch Schematic



Note 1.
Grounds are bussed unless requested otherwise.

Note 2.
The jacks and plugs of this jackfield are polarized for the user's protection. However, use of patch cords other than the AVP Datacord or any other pair transposition within the customer's equipment will circumvent this polarity protection.

TX: Transmit
REC: Receive

Datapatch Schematic

Product Listing

Model	Description
Datapatch / RS422	
JR-16N	1RU 1.75", 45mm Panel, 8 Send/Receive Circuit Pairs, Full Normals installed at jacks
JR-16	1RU 1.75", 45mm Panel, 16 Circuits, No Normals
JR-32N	2RU 3.50", 89mm Panel, 16 Send/Receive Circuit Pairs, Full Normals installed at jacks
JR-32	2RU 3.50", 89mm Panel, 32 Circuits, No Normals
JR-48N	2RU 3.50", 89mm Panel, 24 Send/Receive Circuit Pairs, Full Normals installed at jacks
JR-48	2RU 3.50", 89mm Panel, 48 Circuits, No Normals

Ordering Information

Designation Layouts

