



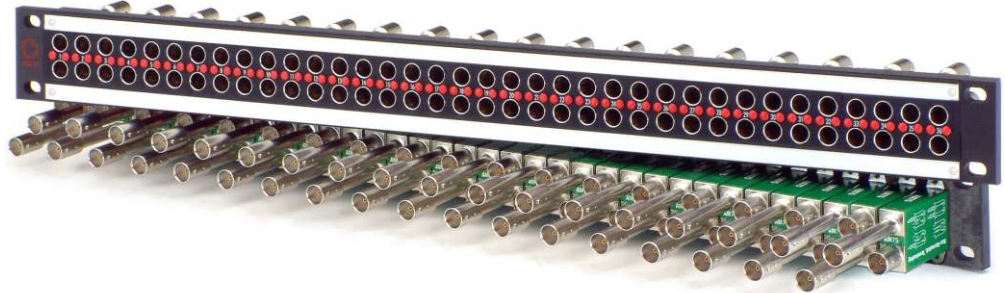
3.0GHz-3Gb/s 2x36 Midsize Video Jackfield

Featuring:

- SuperHD+ 3.0GHz-3Gb/s midsize dual video jacks
- Jacks exceed SMPTE 424M-2006 HDTV specifications
- Life Cycle rating of 30,000
- Made in North America
- Various normalizing & terminating combinations for all applications
- 1, 1.5, & 2RU Mosaic panels

Application:

- HDTV, Serial Digital, Analog



3.0GHz-3Gb/s Midsize Dual Video Jack Specifications

Electrical:

Rated Bandwidth:	3.0GHz - 3Gb/s: Meets HDTV SMPTE 424M-2006 Specification
Characteristic Impedance:	75 Ohms
Return Loss:	See typical Return Loss chart
Insertion Loss:	See typical Insertion Loss chart
Contact Resistance:	Less than 50 milliohms
Termination Resistance:	75 Ohms ± 1%
Center Conductor:	Accepts 0.048" pin diameter

Environmental:

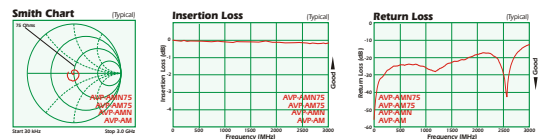
Operating Temperature:	-40°C to 65°C
Storage Temperature:	-40°C to 65°C
Thermal Shock:	Per MIL-STD-202, Method 107
Moisture and Humidity:	Per MIL-STD-202, Method 106
RoHS:	Compliant

Mechanical:

Mechanical Shock:	Per MIL-STD-202, Method 213, Test condition 1
Vibration:	Per MIL-STD-202, Method 201
Insertion Force:	7 lbs. maximum
Withdrawal Force:	1 lb. minimum
Life cycle:	30,000 minimum

Material:

Housing:	Zinc alloy, nickel plated
Center Contacts:	Copper alloy, gold plated
Switching Contacts:	Copper alloy, gold plated
Grounding Contacts:	Copper alloy, gold plated
Actuators:	Thermoplastic, UL 94V-0 rated
BNC Insulators:	Teflon



Ordering Information

Rack Space		Installed Front-mount Jack Type	
1	1 Rack Unit 1.75", 44mm	AMN75	3.0GHz-3Gb/s 75Ω Normaled, Terminating dual jacks
1.5	1.5 Rack Unit 2.62", 66mm	AM75	3.0GHz-3Gb/s 75Ω Non-Normaled, Term. dual jacks
2	2 Rack Unit 3.50", 89mm	AMN	3.0GHz-3Gb/s 75Ω Normaled, Non-Term. dual jacks
		AM	3.0GHz-3Gb/s 75Ω Non-Normaled, Non-Term. dual jacks
		Z	None (empty panel)

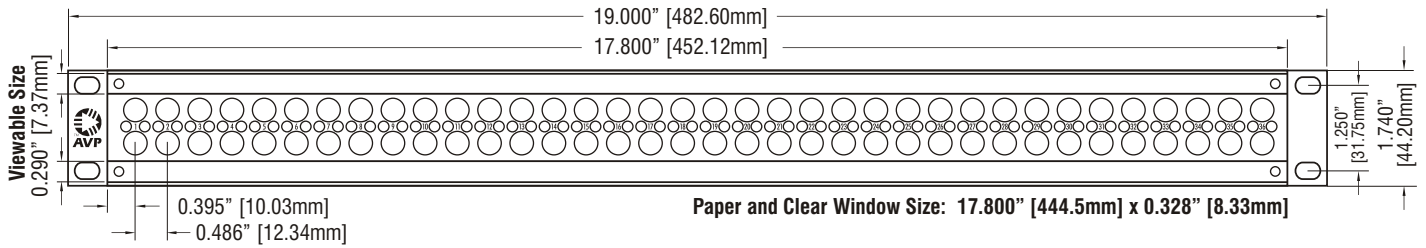
Popular Models	
Model	Description
Complete Jackfields - 3.0GHz-3Gb/s normaled terminating (AMN75)	
AV-D236E1-AMN75	2x36 Panel, 1RU 36 AMN75 normaled terminating front-mount jacks
AV-D236E15-AMN75	2x36 Panel, 1.5RU 36 AMN75 normaled terminating front-mount jacks
AV-D236E2-AMN75	2x36 Panel, 2RU 36 AMN75 normaled terminating front-mount jacks
Complete Jackfields - 3.0GHz-3Gb/s non-normaled terminating (AM75)	
AV-D236E1-AM75	2x36 Panel, 1RU 36 AM75 non-normaled terminating front-mount jacks
AV-D236E15-AM75	2x36 Panel, 1.5RU 36 AM75 non-normaled terminating front-mount jacks
AV-D236E2-AM75	2x36 Panel, 2RU 36 AM75 non-normaled terminating front-mount jacks
Empty Panels	
AV-D236E1-Z	2x36 Panel, 1RU, empty, for front-mount jacks
AV-D236E15-Z	2x36 Panel, 1.5RU, empty, for front-mount jacks
AV-D236E2-Z	2x36 Panel, 2RU, empty, for front-mount jacks

- Front-mount jacks simplify system re-design & maintenance
- Numbered jack positions for quick and accurate installation, system troubleshooting & operational ease
- Patented designation design maximizes viewable area
- CIS (Circuit Identification System), allows color-coding of every circuit

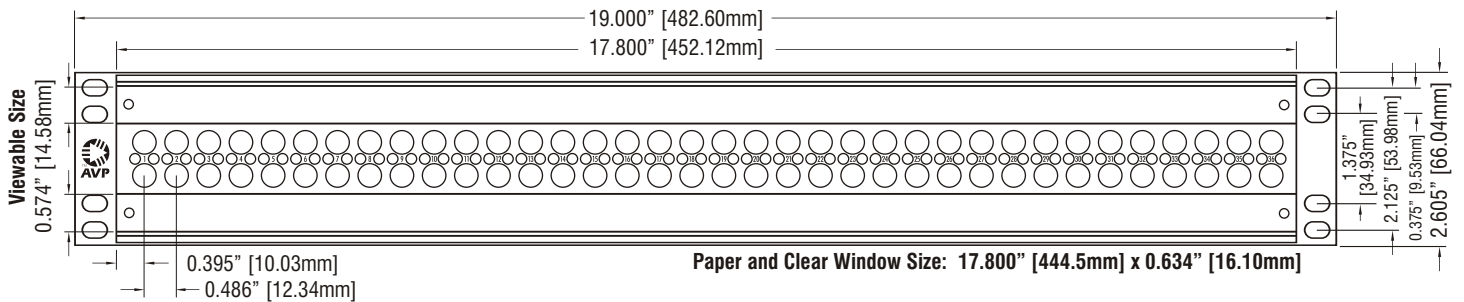
Captive screws stay in the panel, not lost in the rack

In the interest of improved design and performance, AVP reserves the right to make changes in its specifications without prior notice. Copyright © 2011 AVP MFG & Supply Inc.

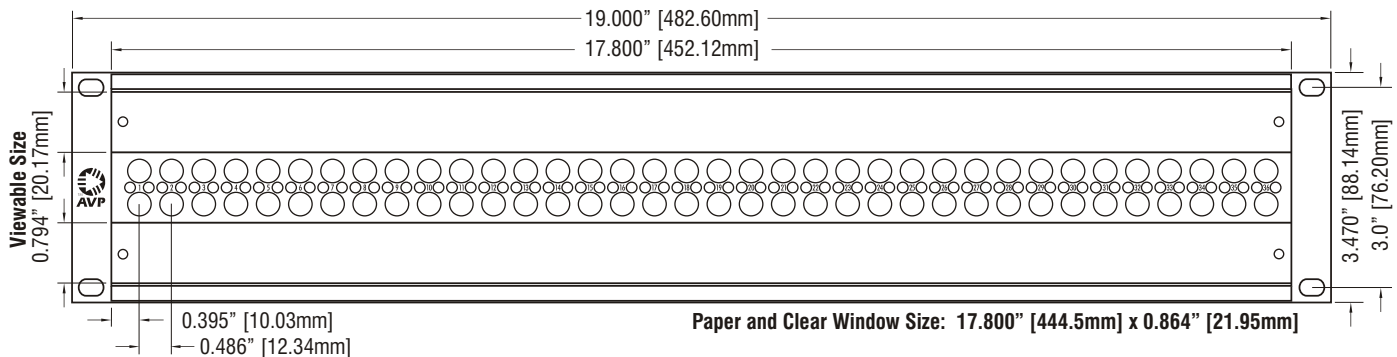
2x36 Position Midsize Video Designation Layouts



1 RU 36 Position AV-D236E1 Series



1.5 RU 36 Position AV-D236E15 Series



2 RU 36 Position AV-D236E2 Series

In the interest of improved design and performance, AVP reserves the right to make changes in its specifications without prior notice. Copyright © 2011 AVP MFG & Supply Inc.