

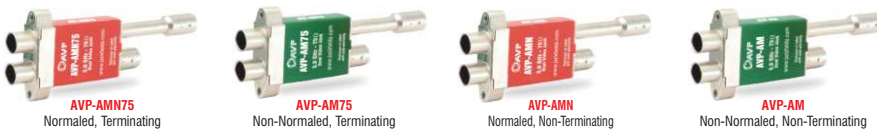
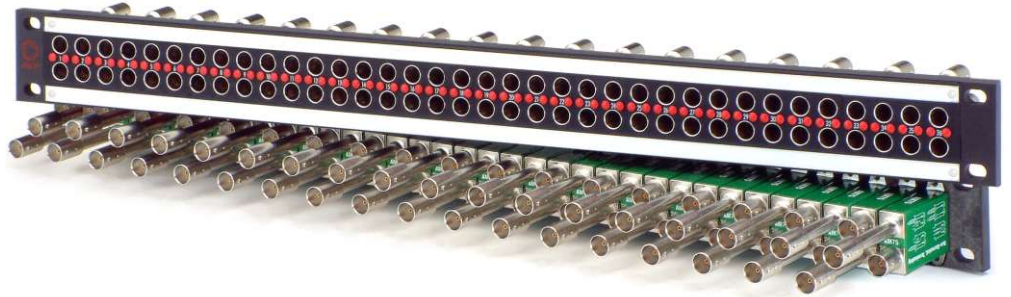
## 3.0GHz-3Gb/s 2x36 Midsize Video Jackfield

### Featuring:

- SuperHD+ 3.0GHz-3Gb/s midsize dual video jacks
- Jacks exceed SMPTE 424M-2006 HDTV specifications
- Life Cycle rating of 30,000
- Made in North America
- Lifetime jack warranty
- Various normaling & terminating combinations for all applications
- 1, 1.5, & 2RU Mosaic panels

### Application:

- HDTV, Serial Digital, Analog



### 3.0GHz-3Gb/s Midsize Dual Video Jack Specifications

#### Electrical:

Rated Bandwidth:	3.0GHz - 3Gb/s: Meets HDTV SMPTE 424M-2006 Specification
Characteristic Impedance:	75 Ohms
Return Loss:	See typical Return Loss chart
Insertion Loss:	See typical Insertion Loss chart
Contact Resistance:	Less than 50 milliohms
Termination Resistance:	75 Ohms ± 1%
Center Conductor:	Accepts 0.048" pin diameter

#### Environmental:

Operating Temperature:	-40°C to 65°C
Storage Temperature:	-40°C to 65°C
Thermal Shock:	Per MIL-STD-202, Method 107
Moisture and Humidity:	Per MIL-STD-202, Method 106
RoHS:	Compliant

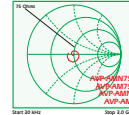
#### Mechanical:

Mechanical Shock:	Per MIL-STD-202, Method 213, Test condition I
Vibration:	Per MIL-STD-202, Method 201
Insertion Force:	7 lbs. maximum
Withdrawal Force:	1 lb. minimum
Life cycle:	30,000 minimum

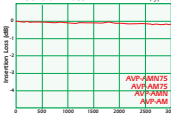
#### Material:

Housing:	Zinc alloy, nickel plated
Center Contacts:	Copper alloy, gold plated
Switching Contacts:	Copper alloy, gold plated
Grounding Contacts:	Copper alloy, gold plated
Actuators:	Thermoplastic, UL 94V-0 rated
BNC Insulators:	Teflon

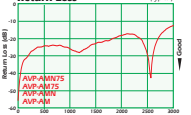
Smith Chart



Insertion Loss



Return Loss



Model Number  
A V - D 2 3 6 E -

### Ordering Information

#### Rack Space

1	1 Rack Unit	1.75", 44mm
15	1.5 Rack Unit	2.62", 66mm
2	2 Rack Unit	3.50", 89mm

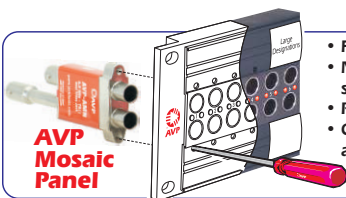
\*Cable Bar Option not available with 2x36 panel

#### Installed Front-mount Jack Type

AMN75	3.0GHz-3Gb/s 75Ω Normalized, Terminating dual jacks
AM75	3.0GHz-3Gb/s 75Ω Non-Normalized, Term. dual jacks
AMN	3.0GHz-3Gb/s 75Ω Normalized, Non-Term. dual jacks
AM	3.0GHz-3Gb/s 75Ω Non-Normalized, Non-Term. dual jacks
Z	None (empty panel)

#### Popular Models

Model	Description
Complete Jackfields - 3.0GHz-3Gb/s normalized terminating (AMN75)	
AV-D236E1-AMN75	2x36 Panel, 1RU 36 AMN75 normalized terminating front-mount jacks
AV-D236E15-AMN75	2x36 Panel, 1.5RU 36 AMN75 normalized terminating front-mount jacks
AV-D236E2-AMN75	2x36 Panel, 2RU 36 AMN75 normalized terminating front-mount jacks
Complete Jackfields - 3.0GHz-3Gb/s non-normalized terminating (AM75)	
AV-D236E1-AM75	2x36 Panel, 1RU 36 AM75 non-normalized terminating front-mount jacks
AV-D236E15-AM75	2x36 Panel, 1.5RU 36 AM75 non-normalized terminating front-mount jacks
AV-D236E2-AM75	2x36 Panel, 2RU 36 AM75 non-normalized terminating front-mount jacks
Empty Panels	
AV-D236E1-Z	2x36 Panel, 1RU, empty, for front-mount jacks
AV-D236E15-Z	2x36 Panel, 1.5RU, empty, for front-mount jacks
AV-D236E2-Z	2x36 Panel, 2RU, empty, for front-mount jacks

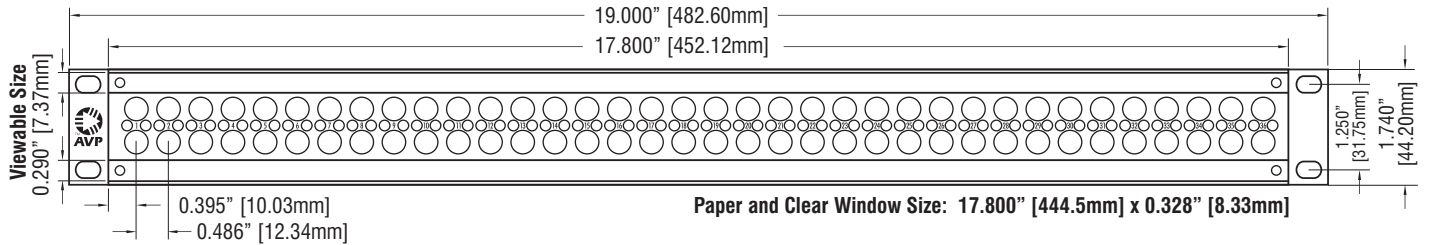


- Front-mount jacks simplify system re-design & maintenance
- Numbered jack positions for quick and accurate installation, system troubleshooting & operational ease
- Patented designation design maximizes viewable area
- CIS (Circuit Identification System), allows color-coding of every circuit

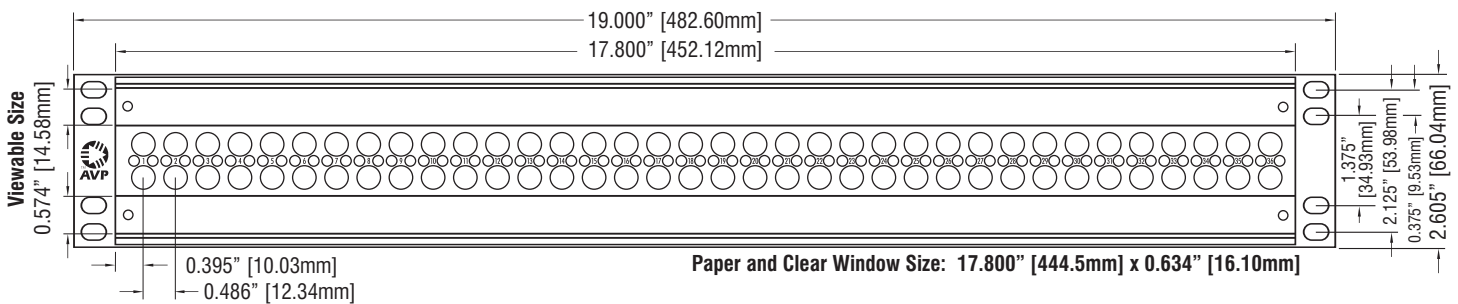
Captive screws stay in the panel, not lost in the rack

In the interest of improved design and performance, AVP reserves the right to make changes in its specifications without prior notice. Copyright © 2012 AVP MFG & Supply Inc.

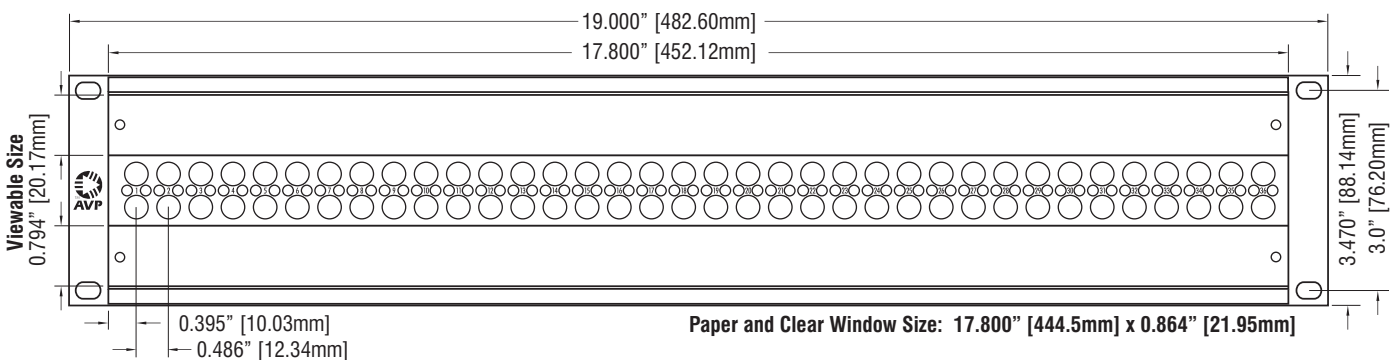
## 2x36 Position Midsize Video Designation Layouts



**1 RU** 36 Position AV-D236E1 Series



**1.5 RU** 36 Position AV-D236E15 Series



**2 RU** 36 Position AV-D236E2 Series

In the interest of improved design and performance, AVP reserves the right to make changes in its specifications without prior notice. Copyright © 2011 AVP MFG & Supply Inc.

