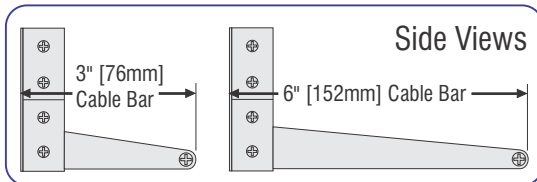


Universal Bulkhead Panel System Maxxum Series



Featuring:

- MIS Color-Code System
- Expanded Module Selection
- Dual Width Modules
- Introduction of 1.5RU
- Choose 3" (76mm) or 6" (152mm) Strain Relief Cable Bar System



Ordering Information - Universal, Maxxum Series Bulkhead Panels

Model	Description
	Metal Universal Panel - Panel with Cable Bar Only; no Connectors, no Adaptor Plates, no Cover Plates
WKM-U116E1-Z-3BAR	1RU, 1x16 Metal Universal Panel, Panel & 3" [76mm] Cable Bar Only, No Connectors
WKM-U116E1-Z-6BAR	1RU, 1x16 Metal Universal Panel, Panel & 6" [152mm] Cable Bar Only, No Connectors
WKM-U116E15-Z-3BAR	1.5RU, 1x16 Metal Universal Panel, Panel & 3" [76mm] Cable Bar Only, No Connectors
WKM-U116E15-Z-6BAR	1.5RU, 1x16 Metal Universal Panel, Panel & 6" [152mm] Cable Bar Only, No Connectors
WKM-U216E2-Z-3BAR	2RU, 2x16 Metal Universal Panel, Panel & 3" [76mm] Cable Bar Only, No Connectors
WKM-U216E2-Z-6BAR	2RU, 2x16 Metal Universal Panel, Panel & 6" [152mm] Cable Bar Only, No Connectors
WKM-U216E3-Z-3BAR	3RU, 2x16 Metal Universal Panel, Panel & 3" [76mm] Cable Bar Only, No Connectors
WKM-U216E3-Z-6BAR	3RU, 2x16 Metal Universal Panel, Panel & 6" [152mm] Cable Bar Only, No Connectors
<i>Options:</i>	
BUILD2	2 or 3RU Assembly of connectors to panel
BUILD1	1 or 1.5RU Assembly of connectors to panel

Ordering Information - Maxxum Color-Code Caps

MIS - [] - []	
Number of Color-Code Caps	Cap Color
30 Package of 30	● BLACK ● GREEN
60 Package of 60	● BROWN ● BLUE
100 Package of 100	● RED ● PURPLE
	● ORANGE ● GRAY
	● YELLOW ● WHITE
	- MULTI of each color

In the interest of improved design and performance, AVP reserves the right to make changes in its specifications without prior notice. Copyright © 2013 AVP MFG & Supply Inc.



Ordering Information	
Model	Description
ALL Maxxum Modules INCLUDE MIS Black Cap and Mounting Hardware	
FIBER OPTIC ST	
UMF-SMP-ST	Multimode ST Mating Sleeve, Metal Housing, Phos. Bronze Sleeve
UMF-SMP-ST-DC	Multimode ST Mating Sleeve, Metal Housing, Phos. Bronze Sleeve, 1 Dust Cap
UMF-SSP-ST	Single Mode ST Mating Sleeve, Metal Housing, Zirconia Sleeve
UMF-SSP-ST-DC	Single Mode ST Mating Sleeve, Metal Housing, Phos. Bronze Sleeve, 2 Dust Caps
UMF-DMU-ST	Duplex Multimode ST Mating Sleeve, Metal Housing, Phos. Bronze Sleeve
UMF-DMU-ST-DC	Duplex Multimode ST Mating Sleeve, Metal Housing, Phos. Bronze Sleeve, 2 Dust Caps
UMF-DSU-ST	Duplex Single Mode ST Mating Sleeve, Metal Housing, Zirconia Sleeve
UMF-DSU-ST-DC	Duplex Single Mode ST Mating Sleeve, Metal Housing, Zirconia Sleeve, 2 Dust Caps
UMFO-DC-ST	Metal Dust Cap & Chain for ST
FIBER OPTIC SC	
UMF-SMP-SC	Multimode SC Mating Sleeve, Polymer Housing, Phos. Bronze Sleeve, Beige Color
UMF-SMP-SC-10G	10Gig Multimode SC Mating Sleeve, Multimode, Polymer Housing, Aqua Color
UMF-SSP-SC	Single Mode SC Mating Sleeve, Polymer Housing, Zirconia Sleeve, Blue Color
UMF-SSA-SC	SC/APC Single Mode Mating Sleeve, Polymer Housing, Zirconia Sleeve, Green Color
UMF-DMP-SC	Duplex Multimode SC Mating Sleeve, Polymer Housing, Beige Color
*Requires 2 Spaces	
UMF-DMP-SC-10G	Duplex 10Gig Multimode SC Mating Sleeve, Multimode, Polymer Housing, Aqua Color
*Requires 2 Spaces	
UMF-DSP-SC	Duplex Single Mode SC Mating Sleeve, Polymer Housing, Zirconia Sleeve, Blue Color
*Requires 2 Spaces	
UMF-DSP-SC-SH	Duplex Single Mode SC Mating Sleeve with Shutter, Poly. Housing, Zirconia Sl., Blue Color
*Requires 2 Spaces	
UMF-DSA-SC	Duplex SC/APC Single Mode Mating Sleeve, Polymer Housing, Zirconia Sleeve, Green Color
*Requires 2 Spaces	
FIBER OPTIC LC	
UMF-SMP-LC	Multimode LC Mating Sleeve, Phos. Bronze Sleeve, Beige Color
UMF-SSP-LC	Single Mode LC Mating Sleeve, Zirconia Sleeve, Blue Color
UMF-SSA-LC	LC/APC Single Mode Mating Sleeve, Zirconia Sleeve, Green Color
UMF-DMP-LC-SCF	Duplex Multimode LC Mating Sleeve, Beige Color, SC Footprint
UMF-DMP-LC-10G-SCF	10Gig Duplex Multimode LC Mating Sleeve, Aqua Color, SC Footprint
UMF-DSP-LC-SCF	Duplex Single Mode LC Mating Sleeve, Zirconia Sleeve, Blue Color, SC Footprint
UMF-DSA-LC-SCF	LC/APC Duplex LC Mating Sleeve, Zirconia Sleeve, Green Color, SC Footprint
UMF-DSP-LC-SCF-SH	Duplex Single Mode LC Mating Sleeve with Shutter, Zirconia Sleeve, Blue Color
OPTICALCON DUO	
UMNO2-4FDW-A	Chassis connector with black chromium plating, 4 solder contacts and 1 LC-Duplex feedthru socket
UMNO2-4FDW-1-A	Black plating, 4 solder contacts, 1 LC-Duplex feedthru socket, 1 shell ground contact (for SMPTE cable shield)
OPTICALCON QUAD	
UMNO4FDW-A	Chassis connector, black chromium plating
*Requires 2 Panel Spaces	

Ordering Information	
Model	Description
ALL Maxxum Modules INCLUDE MIS Black Cap and Mounting Hardware	
Data - Network - Multimedia	
Ethernet	
UM2RJ45-6AFS	*Cat6A, RJ45, Feedthru, female to female, Shielded
UM2RJ45-6FS	**Cat6, RJ45, Feedthru, female to female, Shielded
UM2RJ45-6AS	*Cat6A, Shielded, RJ45, Tool-less or 110/Krone Punchdown, 23-26AWG, stranded or solid, h/w
UM2RJ45-6S	**Cat6, Shielded, RJ45, Tool-less or 110/Krone Punchdown, 23-26AWG, stranded or solid, h/w
* For Cat3 to Cat6 shielded/unshielded applications ** For Cat3 to Cat6 shielded/unshielded applications	
RJ11 (RJ12) Feedthru	
UMRJ11-F	RJ11 (RJ12) 6 Pos/ 6 Conductor, IDC interface, Toolless
RJ11 (RJ12) IDC Toolless	
UMRJ11	RJ11 (RJ12) 6 pos/6 con, Feedthru, female-female
Firewire	
UMFW-4	Firewire 4 pin Feedthru, female-female, IEEE1394
UMNA1394-6-W	Firewire 6 IEEE 1394 6-pole receptacles on both ends, nickel chassis
UMNA1394-6-W-B	Firewire 6 IEEE 1394 6-pole receptacles on both ends, black chassis
USB	
UMSB-A	USB 2, Type A to A, Feedthru, female-female, black chassis
UMSB-B	USB 2, Type B to B, Feedthru, female-female, black chassis
UMNAUSB-W	Reversible USB gender changer (A to B, B to A), Nickel chassis
UMNAUSB-W-B	Reversible USB gender changer (A to B, B to A), black chassis
UMSB3-A	USB 3, Type A to A, Feedthru, female-female, black chassis
HDMI	
UMHDMI-DF	HDMI 1.3 feedthru adapter, nickel chassis
UMNAHDMI-W-B	HDMI 1.3 feedthru adapter, black chassis
DVI	
UMDVI-FF	DVI female to female feedthru, 24+5, black/gold, *Requires 2 panel spaces

Ordering Information	
Model	Description
ALL Maxxum Modules INCLUDE MIS Black Cap and Mounting Hardware	
D Sub9 & HD15	
UMD9-FF	D-Sub 9-pin Female to Female Feedthru
UMD9-MM	D-Sub 9-pin Male to Male Feedthru
UMD9-MF	D-Sub 9-pin Male to Female Feedthru
UMD9-FM	D-Sub 9-pin Female to Male Feedthru
UMD15HD-FF	D-Sub 15-pin Female to Female Feedthru
UMD15HD-MM	D-Sub 15-pin Male to Male Feedthru
UMD15HD-MF	D-Sub 15-pin Male to Female Feedthru
UMD15HD-FM	D-Sub 15-pin Female to Male Feedthru
UMDB9-CF	DB9 Female, socket contacts - crimp
UMDB9-CM	DB9 Male, pin contacts - crimp
UMDB9-SCF	DB9 Female, solder-cup
UMDB9-SCM	DB9 Male, solder-cup
UMDB9-SF	DB9 Female, solder-cup
UMDB9-SM	DB9 Male, solder-cup
UMHD15-CF	HD15, Female, socket contacts - crimp
UMHD15-CM	HD15, Male, pin contacts - crimp
UMHD15-SF	HD15 Female, solder-cup
UMHD15-SM	HD15 Male, solder-cup
VIDEO	
BNC	
UMJJ300	BNC Feedthru, 3 GHz, AVP JJ300, 75 ohm, non-recessed, female-female, black plate
UMJJ300R	BNC Feedthru, 3 GHz, AVP JJ300, 75 ohm, semi-recessed, female-female, black chassis
UMBNC50-F	BNC Coaxial Feedthru, 50 ohm, female-female
UMBNC50-FR	BNC Coaxial Feedthru, 50 ohm, Semi-Recessed, female-female
UMNBB75DFI	BNC connector, Feedthru, full recessed, nickel chassis
UMNBB75DFIB	BNC connector, Feedthru, full recessed, black chassis
UMNBB75DFIB-P	BNC connector, Feedthru, semi-recessed, black chassis
SVHS	
UMSVHS-4G	SVHS Feedthru, 4 pin, gold plated
UMSVHS-4GR	SVHS Feedthru, 4 pin, semi-recessed, gold plated
UMSVHS-4N	SVHS Feedthru, 4 pin, nickel plated
UMSVHS-4NR	SVHS Feedthru, 4 pin, semi-recessed, nickel plated
F - TNC - SMA	
UMTNC-F	TNC coaxial adapter, Feedthru, female-female, 50 Ohm
UMHF310	F Style Feedthru
UMSMA	SMA Feedthru
Contact AVP if your required connector is not shown	



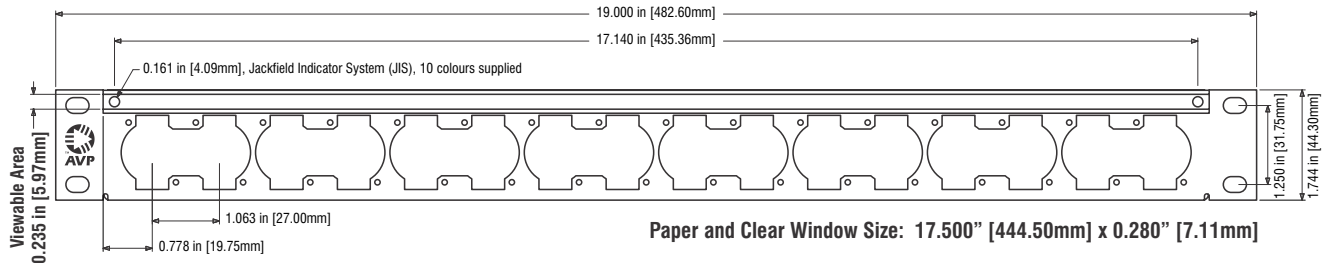
Ordering Information	
Model	Description
ALL Maxxum Modules INCLUDE MIS Black Cap and Mounting Hardware	
AUDIO	
AVP Baluns	
UMBLN-XFB	AVP Universal Panel-mount Balun, female XLR 3Pin 110 Ohm, to BNC 75 Ohm
UMBLN-XMB	AVP Universal Panel-mount Balun, male XLR 3Pin 110 Ohm, to BNC 75 Ohm
UMBLN-BXF	AVP Universal Panel-mount Balun, BNC 75 Ohm, to female XLR 3Pin 110 Ohm
UMBLN-BXM	AVP Universal Panel-mount Balun, BNC 75 Ohm, to male XLR 3Pin 110 Ohm
UMBLN-XFB-10	AVP Universal Panel-mount Balun, fem XLR 3Pin 110 Ohm, to BNC 75 Ohm, -10dB att.
UMBLN-BXF-10	AVP Universal Panel-mount Balun, BNC 75 Ohm, to female XLR 3Pin 110 Ohm, -10dB att.
Edac 3 Pin	
UME3R-C	3 Pin EDAC Receptacle with crimp pins
UME3R-S	3 Pin EDAC Receptacle with solder pins
N Connectors	
UMN320	N Style Feedthru, 50 Ohm
XLR Adapters	
UMNA3FDM	XLR female-male Feedthru adapter for panel mount
UMNA3MDF	XLR male-female Feedthru adapter for panel mount
SpeakON Chassis Connectors	
UMNL2MP	2 pole chassis connector, black D-size flange. Does not intermate with the 4-pole cableconnector
UMNL4MP	4 pole chassis connector, black D-size flange, silver contacts
UMNL4MP-B	4 pole chassis connector, black D-size flange, gold contacts
RCA to RCA Feedthru	
UMRCA-R	RCA Feedthru, red. MIS red cap included
UMRCA-W	RCA Feedthru, white. MIS white cap included
UMRCA-Y	RCA Feedthru, yellow. MIS yellow cap included
UMRCA-B	RCA Feedthru, blue. MIS blue cap included
UMRCA-G	RCA Feedthru, green. MIS green cap included
UMRCA-O	RCA Feedthru, orange. MIS orange cap included
UMRCA-K	RCA Feedthru, black. MIS black cap included
Phone Jacks, rear solder terminals	
UMNJ3FP6C	1/4" Stereo/Mono Locking phone jack, D-size shell, nickel metal housing, silver contacts
UMNJ3FP6C-B	1/4" Stereo/Mono Locking phone jack, D-size shell, black metal housing, gold contacts
UMNJ3FP6C-BAG	1/4" Stereo/Mono Locking phone jack, D-size shell, black metal housing, silver contacts
UMS35J	3.5mm Stereo Phone Jack
Midi and Toslink	
UMMIDI	MIDI Isolated Connector, solder type
UMTOS	Toslink optical audio coupler, Feedthru

*Requires 2 Panel Spaces

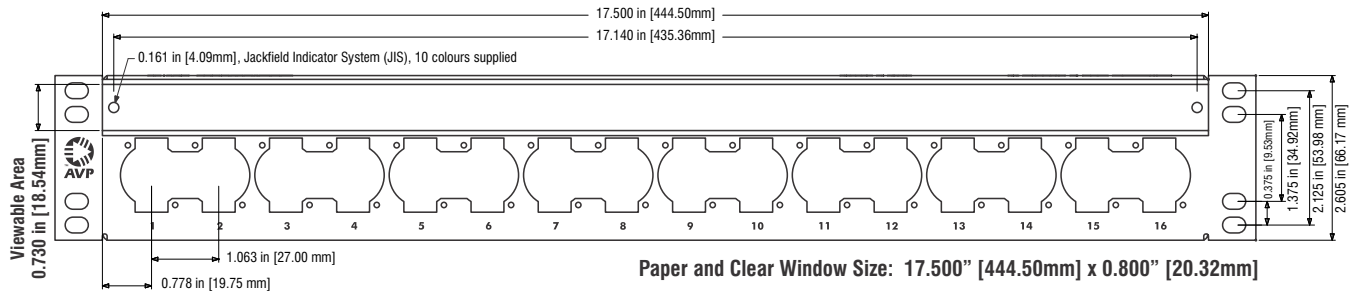
Ordering Information	
Model	Description
ALL Maxxum Modules INCLUDE MIS Black Cap and Mounting Hardware	
XLR BLACK/GOLD DL SERIES	
UMNC3FD-L-B-1	3 pole female receptacle, solder cups, black metal housing, gold contacts
UMNC3MD-L-B-1	3 pole male receptacle, solder cups, black metal housing, gold contacts
UMNC4FD-L-B-1	4 pole female receptacle, solder cups, black metal housing, gold contacts
UMNC4MD-L-B-1	4 pole male receptacle, solder cups, black metal housing, gold contacts
UMNC5FD-L-B-1	5 pole female receptacle, solder cups, black metal housing, gold contacts
UMNC5MD-L-B-1	5 pole male receptacle, solder cups, black metal housing, gold contacts
UMNC6FD-L-B-1	6 pole female receptacle, solder cups, black metal housing, gold contacts
UMNC6MD-L-B-1	6 pole male receptacle, solder cups, black metal housing, gold contacts
UMNC7FD-L-B-1	7 pole female receptacle, solder cups, black metal housing, gold contacts
UMNC7MD-L-B-1	7 pole male receptacle, solder cups, black metal housing, gold contacts
XLR BLACK/GOLD DLX SERIES	
UMNC3FD-LX-B	3 pole female receptacle, solder cups, black metal housing, gold contacts, duplex ground contact
UMNC3MD-LX-B	3 pole male receptacle, solder cups, black metal housing, gold contacts, duplex ground contact
UMNC4FD-LX-B	4 pole female receptacle, solder cups, black metal housing, gold contacts, duplex ground contact
UMNC4MD-LX-B	4 pole male receptacle, solder cups, black metal housing, gold contacts, duplex ground contact
UMNC5FD-LX-B	5 pole female receptacle, solder cups, black metal housing, gold contacts, duplex ground contact
UMNC5MD-LX-B	5 pole male receptacle, solder cups, black metal housing, gold contacts, duplex ground contact
UMNC6FD-LX-B	6 pole female receptacle, solder cups, black metal housing, gold contacts, duplex ground contact
UMNC6MD-LX-B	6 pole male receptacle, solder cups, black metal housing, gold contacts, duplex ground contact
UMNC7FD-LX-B	7 pole female receptacle, solder cups, black metal housing, gold contacts, duplex ground contact
UMNC7MD-LX-B	7 pole male receptacle, solder cups, black metal housing, gold contacts, duplex ground contact
XLR NICKEL/SILVER DL SERIES	
UMNC3FD-L-1	3 pole female receptacle, solder cups, nickel housing, silver contacts
UMNC3MD-L-1	3 pole male receptacle, solder cups, nickel housing, silver contacts
UMNC4FD-L-1	4 pole female receptacle, solder cups, nickel housing, silver contacts
UMNC4MD-L-1	4 pole male receptacle, solder cups, nickel housing, silver contacts
UMNC5FD-L-1	5 pole female receptacle, solder cups, nickel housing, silver contacts
UMNC5MD-L-1	5 pole male receptacle, solder cups, nickel housing, silver contacts
UMNC6FD-L-1	6 pole female receptacle, solder cups, nickel housing, silver contacts
UMNC6MD-L-1	6 pole male receptacle, solder cups, nickel housing, silver contacts
UMNC7FD-L-1	7 pole female receptacle, solder cups, nickel housing, silver contacts
UMNC7MD-L-1	7 pole male receptacle, solder cups, nickel housing, silver contacts

Ordering Information	
Model	Description
ALL Maxxum Modules INCLUDE MIS Black Cap and Mounting Hardware	
XLR NICKEL/SILVER DLX SERIES	
UMNC3FD-LX	3 pole female receptacle, solder cups, nickel housing, silver contacts, duplex ground contact
UMNC3MD-LX	3 pole male receptacle, solder cups, nickel housing, silver contacts, duplex ground contact
UMNC4FD-LX	4 pole female receptacle, solder cups, nickel housing, silver contacts, duplex ground contact
UMNC4MD-LX	4 pole male receptacle, solder cups, nickel housing, silver contacts, duplex ground contact
UMNC5FD-LX	5 pole female receptacle, solder cups, nickel housing, silver contacts, duplex ground contact
UMNC5MD-LX	5 pole male receptacle, solder cups, nickel housing, silver contacts, duplex ground contact
UMNC6FD-LX	6 pole female receptacle, solder cups, nickel housing, silver contacts, duplex ground contact
UMNC6MD-LX	6 pole male receptacle, solder cups, nickel housing, silver contacts, duplex ground contact
UMNC7FD-LX	7 pole female receptacle, solder cups, nickel housing, silver contacts, duplex ground contact
UMNC7MD-LX	7 pole male receptacle, solder cups, nickel housing, silver contacts, duplex ground contact
Maxxum Modules - Miscellaneous	
UMCP	Blank Cover Plate, black, covers one position
UMB2-M	Banana Jacks (2), adapter plate
UMB3-M	Banana Jack Triad (3), adapter plate
UMBP1-S	Binding Post Single (1), adapter plate
UMBP2-S	Binding Post Double (2), adapter plate
UMMD66FF	PS/2 Keyboard Feedthru, female-female, adaptor plate
UMMD66FFR	PS/2 Keyboard Feedthru, semi-recessed, female-female), adaptor plate
UMMTS-L	Miniature Toggle Switch, DPDT, Locking Handle, 3Amps 250VAC, Solder
Maxxum Indicator System (MIS)	
Color-Code Caps	
MIS-30-Color	Replace "color" with; Black, Brown, Red, Orange, Yellow, Green, Blue, Purple, Gray or White
MIS-60-Color	Replace "color" with; Black, Brown, Red, Orange, Yellow, Green, Blue, Purple, Gray or White
MIS-100-Color	Replace "color" with; Black, Brown, Red, Orange, Yellow, Green, Blue, Purple, Gray or White
MIS-30-MULTI	30 each of 10 colors, 300 caps total
MIS-60-MULTI	60 each of 10 colors, 600 caps total
MIS-100-MULTI	100 each of 10 colors. 1000 caps total

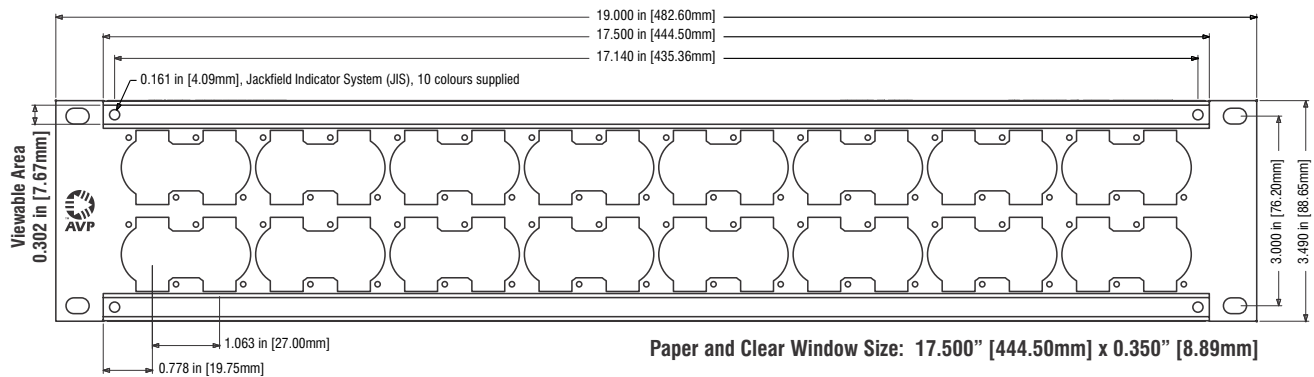
Contact AVP if your required connector is not shown



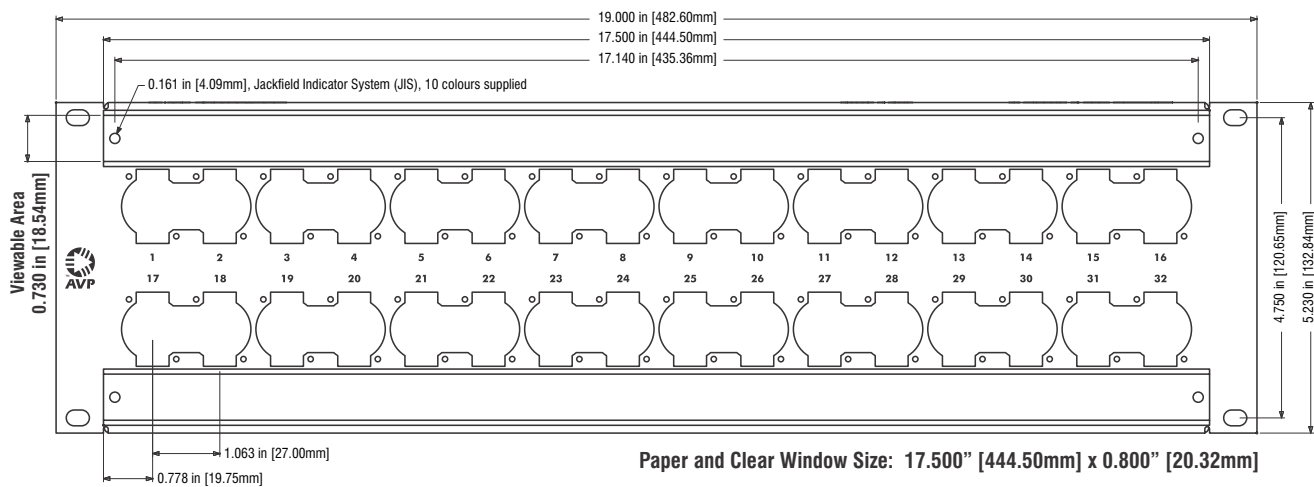
1RU, 16 Position, WKM-U116E1-Z



1.5RU, 16 Position, WKM-U116E15-Z



2RU, 16 Position, WKM-U216E2-Z



3RU, 16 Position, WKM-U216E3-Z