

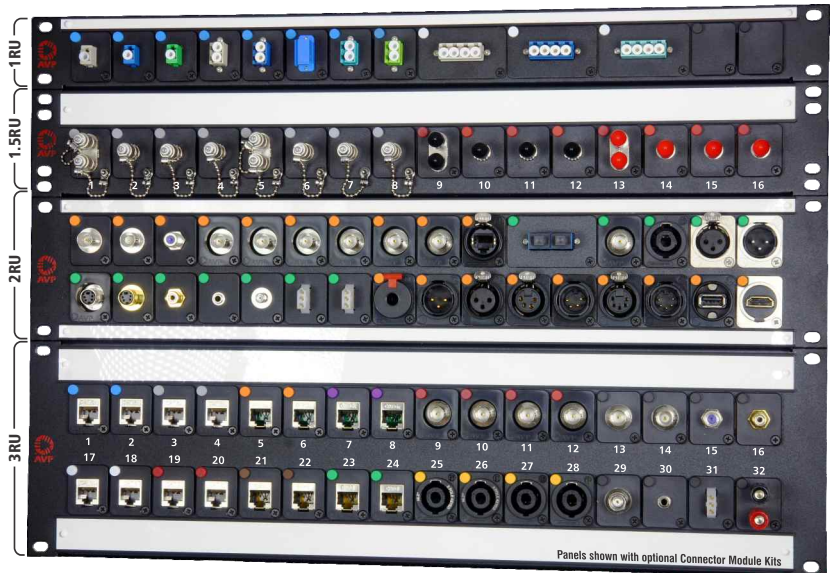
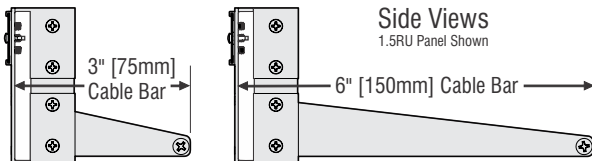
# Universal Bulkhead Panel System

## Maxxum Series



### Featuring:

- MIS Color-Code System
- Expanded Module Selection
- Dual Width Modules
- Introduction of 1.5RU
- Choose 3" (75mm) or 6" (150mm) Strain Relief Cable Bar System



#### Ordering Information - Universal, Maxxum Series Bulkhead Panels

Model	Description
	Metal Universal Panel - Panel with Cable Bar Only; no Connectors, no Adaptor Plates, no Cover Plates
<b>WKM-U116E1-Z-B23</b>	1RU, 1x16 Metal Universal Panel, Panel & 3" [75mm] Cable Bar Only, No Connectors
<b>WKM-U116E1-Z-B31</b>	1RU, 1x16 Metal Universal Panel, Panel & 6" [150mm] Cable Bar Only, No Connectors
<b>WKM-U116E15-Z-B24</b>	1.5RU, 1x16 Metal Universal Panel, Panel & 3" [75mm] Cable Bar Only, No Connectors
<b>WKM-U116E15-Z-B32</b>	1.5RU, 1x16 Metal Universal Panel, Panel & 6" [150mm] Cable Bar Only, No Connectors
<b>WKM-U216E2-Z-B25</b>	2RU, 2x16 Metal Universal Panel, Panel & 3" [75mm] Cable Bar Only, No Connectors
<b>WKM-U216E2-Z-B33</b>	2RU, 2x16 Metal Universal Panel, Panel & 6" [150mm] Cable Bar Only, No Connectors
<b>WKM-U216E3-Z-B26</b>	3RU, 2x16 Metal Universal Panel, Panel & 3" [75mm] Cable Bar Only, No Connectors
<b>WKM-U216E3-Z-B34</b>	3RU, 2x16 Metal Universal Panel, Panel & 6" [150mm] Cable Bar Only, No Connectors

#### Options:

<b>BUILD2</b>	2 or 3RU Assembly of connectors to panel
<b>BUILD1</b>	1 or 1.5RU Assembly of connectors to panel

#### Ordering Information - Maxxum Color-Code Caps

MIS - [ ] - [ ]		Cap Color	
<b>Number of Color-Code Caps</b>		<b>BLACK</b>	<b>GREEN</b>
30	Package of 30	<b>BROWN</b>	<b>BLUE</b>
60	Package of 60	<b>RED</b>	<b>PURPLE</b>
100	Package of 100	<b>ORANGE</b>	<b>GRAY</b>
		<b>YELLOW</b>	<b>WHITE</b>
		- MULTI of each color	

In the interest of improved design and performance, AVP reserves the right to make changes in its specifications without prior notice. Copyright © 2017 AVP MFG & Supply Inc.



### Ordering Information

Model	Description
ALL Maxxum Modules INCLUDE MIS Black Cap and Mounting Hardware MM=Multimode SM=Singlemode SX=Simplex DX=Duplex	
<b>FIBER OPTIC ST</b>	
<b>UMF-MMS-ST</b> #907178	ST MM SX OM1/2/3/4 Metal Adapter, Zirconia Sleeve, Black, Beige, Aqua & Magenta MIS
<b>UMF-MMS-ST-DC</b> #907179	ST MM SX OM1/2/3/4 Metal Adapter, Zirconia Sleeve, 1 Dust Cap & Chain. Black, Beige, Aqua & Magenta MIS included
<b>UMF-SMS-ST</b> #907180	ST SM SX Metal Adapter, Zirconia Sleeve, Black, Blue & Green MIS included
<b>UMF-SMS-ST-DC</b> #907181	ST SM SX Metal Adapter, Zirconia Sleeve, 1 Dust Cap & Chain. Black, Blue & Green MIS
<b>UMF-MMD-ST</b> #907182	ST MM DX OM1/2/3/4 Metal Adapter, Zirconia Sleeves, Black, Beige, Aqua & Magenta MIS
<b>UMF-MMD-ST-DC</b> #907183	ST MM DX OM1/2/3/4 Metal Adapter, Zirconia Sleeves, 2 Dust Caps & Chains, Black, Beige, Aqua & Magenta MIS included
<b>UMF-SMD-ST</b> #907184	ST SM DX Metal Adapter, Zirconia Sleeves, Black, Blue & Green MIS included
<b>UMF-SMD-ST-DC</b> #907185	ST SM DX Metal Adapter, Zirconia Sleeves, 2 Dust Caps & Chains, Black, Blue & Green MIS included
<b>UMFO-DC-ST</b> #907203	ST Metal Dust Cap & Chain
<b>FIBER OPTIC ST - Recessed</b>	
<b>UMF-MMS-STR</b> #908474	ST MM SX OM1/2/3/4 Metal Adapter, Recessed, Zirconia SI, Black, Beige, Aqua & Magenta MIS
<b>UMF-MMS-STR-DC</b> #908475	ST MM SX OM1/2/3/4 Metal Adapter, Recessed, Zirconia Sleeve, 1 Dust Cap & Chain. Black, Beige, Aqua & Magenta MIS included
<b>UMF-SMS-STR</b> #908476	ST SM SX Metal Adapter, Recessed, Zirconia Sleeve, Black, Blue & Green MIS included
<b>UMF-SMS-STR-DC</b> #908477	ST SM SX Metal Adapter, Recessed, Zirconia SI 1 Dust Cap & Chain. Black, Blue & Green MIS
<b>FIBER OPTIC SC</b>	
<b>UMF-MMS-SC-BG</b> #907186	SC MM SX OM1/2 Beige Adapter, Polymer Housing, Zirconia Sleeve, Black & Beige MIS
<b>UMF-MMS-SC-AQ</b> #907187	SC MM SX 10G OM3,4 Aqua Adpt, Polymer Housing, Zirconia Sleeve, Black & Aqua MIS
<b>UMF-MMS-SC-MG</b> #908478	SC MM SX 10G OM4 Magenta Adpt, Polymer Housing, Zirconia SI, Black & Magenta MIS
<b>UMF-SMS-SC-BL</b> #907190	SC SM SX Blue Adapter, Polymer Housing, Zirconia Sleeve, Black & Blue MIS included
<b>UMF-SMS-SC-GN</b> #907193	SC/APC SM SX Green Adpt, Polymer Housing, Zirconia Sleeve, Black & Green MIS
<b>UMF-MMD-SC-BG</b> #907188 *2 Spaces	SC MM DX OM1/2 Beige Adapter, Polymer Housing, Black & Beige MIS included
<b>UMF-MMD-SC-AQ</b> #907189 *2 Spaces	SC MM DX 10G OM3/4 Aqua Adpt, Polymer Housing, Black & Aqua MIS included
<b>UMF-MMD-SC-MG</b> #908479 *2 Spaces	SC MM DX 10G OM4 Magenta Adpt, Polymer Housing, Black & Magenta MIS included
<b>UMF-SMD-SC-BL</b> #907191 *2 Spaces	SC SM DX Blue Adapter, Polymer Housing, Zirconia Sleeve, Black & Blue MIS included
<b>UMF-SMD-SC-BL-SH</b> #907192 *2 Spaces	SC SM DX Blue Adapter w/Shutter, Polymer Housing, Zirconia Sleeve, Black & Blue MIS
<b>UMF-SMD-SC-GN</b> #907194 *2 Spaces	SC/APC SM DX Green Adapter, Polymer Housing, Zirconia Sleeve, Black & Green MIS
<b>OpticalCON DUO</b>	
<b>UMNO2-4FDW-A</b> #907378	OpticalCON Chassis connector with black chromium plating, 4 solder contacts and 1 LC-Duplex feedthru socket
<b>UMNO2-4FDW-1-A</b> #907219	OpticalCON 1 LC-Duplex feedthru socket, 1 shell ground contact (for SMPTE cable shield)
<b>OpticalCON QUAD</b>	
<b>UMNO4FDW-A</b> #907379	OpticalCON Chassis connector, black chromium plating

\*Requires 2 Panel Spaces

### Ordering Information

Model	Description
ALL Maxxum Modules INCLUDE MIS Black Cap and Mounting Hardware MM=Multimode SM=Singlemode SX=Simplex DX=Duplex	
<b>FIBER OPTIC LC</b>	
<b>UMF-MMS-LC-BG</b> #907195	LC MM SX OM1/2 Beige Adapter, Phosphor Bronze Sleeve, Black & Beige MIS included
<b>UMF-MMS-LC-AQ</b> #908480	LC MM SX 10G OM3/4 Aqua Adpt, Phosphor Bronze Sleeve, Black & Aqua MIS included
<b>UMF-MMS-LC-MG</b> #908481	LC MM SX 10G OM4 Magenta Adpt, Phosphor Bronze Sleeve, Black & Magenta MIS included
<b>UMF-SMS-LC-BL</b> #908482	LC SM SX Blue Adapter, Zirconia Sleeve, Black & Blue MIS included
<b>UMF-SMS-LC-GN</b> #907197	LC/APC SM SX Green Adapter, Zirconia Sleeve, Black & Green MIS included
<b>UMF-MMD-LC-BG</b> #907198	LC MM DX OM1/2 Beige Adapter, Zirconia Sleeve, SC Footprint, Black & Beige MIS incl.
<b>UMF-MMD-LC-AQ</b> #907199	LC MM DX 10G OM3/4 Aqua Adapter, Zirconia Sleeve, SC Footprint, Black & Aqua MIS incl.
<b>UMF-MMD-LC-MG</b> #908483	LC MM DX 10G OM4 Magenta Adpt, Zirconia Sleeve, SC Footprint, Black & Magenta MIS
<b>UMF-SMD-LC-BL</b> #907200	LC SM DX Blue Adapter, Zirconia Sleeve, SC Footprint, Black & Blue MIS included
<b>UMF-SMD-LC-BL-SH</b> #907202	LC SM DX Blue Adapter w/Shutter, Zirconia Sleeve, Black & Blue MIS included
<b>UMF-SMD-LC-GN</b> #907201	LC/APC SM DX Green Adpt, Zirconia Sleeve, SC Footprint, Black & Green MIS included
<b>FIREWIRE</b>	
<b>UMFW-4</b> #907261	Firewire 4 pin Feedthru, female-female, IEEE1394
<b>UMNA1394-6-W</b> #907262	Firewire 6 IEEE 1394 6-pole receptacles on both ends, nickel chassis
<b>UMNA1394-6-W-B</b> #907380	Firewire 6 IEEE 1394 6-pole receptacles on both ends, black chassis
<b>USB</b>	
<b>UMSB-A</b> #907303	USB 2, Type A to A, Feedthru, female-female, black chassis
<b>UMSB-B</b> #907305	USB 2, Type B to B, Feedthru, female-female, black chassis
<b>UMNAUSB-W</b> #907381	Reversible USB gender changer (A to B, B to A), nickel chassis
<b>UMNAUSB-W-B</b> #907304	Reversible USB gender changer (A to B, B to A), black chassis
<b>UMSB3-A</b> #907446	USB 3, Type A to A, Feedthru, female-female, black chassis
<b>UMSB3-B</b> #908386	USB 3, Type B to B, Feedthru, female-female, black chassis
<b>UMNAUSB3</b> #908484	Reversible USB 3 gender changer (A to B, B to A), nickel chassis
<b>UMNAUSB3-B</b> #908485	Reversible USB 3 gender changer (A to B, B to A), black chassis
<b>DVI</b>	
<b>UMDVI-FF</b> #907204	DVI female to female feedthru, 24+5, black/gold, *Requires 2 panel spaces
<b>UHD/4K</b>	
<b>UME4K</b> #908181	UHD 4K dual jack module, 12Gb/s Signal/Data Serial Interface meets & exceeds SMPTE ST2082-1:2015 *Requires 2 panel spaces
<b>HDMI</b>	
<b>UMHDMI-DF</b> #907266	HDMI 1.3 feedthru adapter, nickel chassis
<b>UMNAHDMI-W-B</b> #907272	HDMI 1.3 feedthru adapter, black chassis
<b>DIN 1.0/2.3 Feedthru</b>	
<b>UMD12-D12</b> #908190	1 x DIN 1.0/2.3 Feedthru, 3GHz, 75 Ohm, AVP DD12, non-recessed, F-F, black plate

### Ordering Information

Model	Description
ALL Maxxum Modules INCLUDE MIS Black Cap and Mounting Hardware	
<b>D Sub9 &amp; HD15</b>	
<b>UMD9-FF</b> #907205	D-Sub 9-pin Female to Female Feedthru
<b>UMD9-MM</b> #907206	D-Sub 9-pin Male to Male Feedthru
<b>UMD9-MF</b> #907207	D-Sub 9-pin Male to Female Feedthru
<b>UMD9-FM</b> #907208	D-Sub 9-pin Female to Male Feedthru
<b>UMD15HD-FF</b> #907209	D-Sub 15-pin Female to Female Feedthru
<b>UMD15HD-MM</b> #907210	D-Sub 15-pin Male to Male Feedthru
<b>UMD15HD-MF</b> #907211	D-Sub 15-pin Male to Female Feedthru
<b>UMD15HD-FM</b> #907212	D-Sub 15-pin Female to Male Feedthru
<b>UMD25-FF</b> #908182	D-Sub 25-pin Female to Female Feedthru *Requires 2 panel spaces
<b>UMD25-MM</b> #908183	D-Sub 25-pin Male to Male Feedthru *Requires 2 panel spaces
<b>UMD25-MF</b> #908184	D-Sub 25-pin Male to Female Feedthru *Requires 2 panel spaces
<b>UMD25-FM</b> #908185	D-Sub 25-pin Female to Male Feedthru *Requires 2 panel spaces
<b>UMD25-SCF</b> #908186	D-Sub 25-pin Female, Solder cup *Requires 2 panel spaces
<b>UMDB9-CF</b> #907253	DB9 Female, socket contacts - crimp
<b>UMDB9-CM</b> #907254	DB9 Male, pin contacts - crimp
<b>UMDB9-SCF</b> #907255	DB9 Female, solder-cup
<b>UMDB9-SCM</b> #907256	DB9 Male, solder-cup
<b>UMDB9-SF</b> #907257	DB9 Female, solder-cup
<b>UMDB9-SM</b> #907258	DB9 Male, solder-cup
<b>UMHD15-CF</b> #907263	HD15 Female, socket contacts - crimp
<b>UMHD15-CM</b> #907264	HD15 Male, pin contacts - crimp
<b>UMHD15-SF</b> #907265	HD15 Female, solder-cup
<b>UMHD15-SM</b> #907081	HD15 Male, solder-cup
<b>BNC</b>	
<b>UMJJ300</b> #907221	BNC Feedthru, 18 GHz, AVP JJ300, 75 ohm, non-recessed, F-F, black plate, premium 5u gold plating
<b>UMJJ300R</b> #907267	BNC Feedthru, 18 GHz, AVP JJ300, 75 ohm, semi-recessed, F-F, black chassis, premium 5u gold plating
<b>UMJJ200</b> #908187	BNC Feedthru, 6 GHz, AVP JJ200, 75 ohm, non-recessed, F-F, black plate, standard gold flash
<b>UMJJ200R</b> #908188	BNC Feedthru, 6 GHz, AVP JJ200, 75 ohm, semi-recessed, F-F, black chassis, standard gold flash
<b>UMBNC50-F</b> #907250	BNC Coaxial Feedthru, 50 ohm, female-female
<b>UMBNC50-FR</b> #907539	BNC Coaxial Feedthru, 50 ohm, Semi-Recessed, female-female
<b>F - TNC - SMA - N</b>	
<b>UMHF310</b> #907222	F Style Feedthru
<b>UMTNC-F</b> #907310	TNC coaxial adapter, Feedthru, female-female, 50 Ohm
<b>UMSMA</b> #907306	SMA Feedthru
<b>UMNNS320</b> #907279	N Style Feedthru, 50 Ohm

Contact AVP if your required connector is not shown



### Ordering Information

Model Description

ALL Maxxum Modules INCLUDE MIS Black Cap and Mounting Hardware

#### Data - Network - Multimedia

##### Ethernet

UM2RJ45-6AFS #907213	*Cat6A, RJ45, Feedthru, female to female, Shielded
UM2RJ45-6FS #907214	**Cat6, RJ45, Feedthru, female to female, Shielded
UM2RJ45-6AS #907215	*Cat6A, Shielded, RJ45, Tool-less or 110/Krone Punchdown, 23-26AWG, stranded or solid, h/w
UM2RJ45-6S #907216	**Cat6, Shielded, RJ45, Tool-less or 110/Krone Punchdown, 23-26AWG, stranded or solid, h/w

\* For Cat3 to Cat6A shielded/unshielded applications  
\*\* For Cat3 to Cat6 shielded/unshielded applications

##### Cat6 Tool-less, IDC, EtherCon

UMNE8FDY-C6 #907387	Cat6, IDC, Tool-less nickel chassis
UMNE8FDY-C6-B #907274	Cat6, IDC, Tool-less black chassis

##### Cat6A Feedthru

UMNE8FDX-P6 #908180	CAT6A panel connector, shielded, feedthru, nickel chassis
UMNE8FDX-P6-B #907990	CAT6A panel connector, shielded, feedthru, black chassis

##### RJ11 (RJ12) Feedthru

UMRJ11-F #907218	RJ11 (RJ12) 6 pos/6 con, Feedthru, female-female
---------------------	--

##### RJ11 (RJ12) IDC Tool-less

UMRJ11 #907217	RJ11 (RJ12) 6 Pos/ 6 Conductor, IDC interface, Toolless
-------------------	---

##### RCA to RCA Feedthru

UMRCA-R #907297	RCA Feedthru, red. MIS red cap included
UMRCA-W #907298	RCA Feedthru, white. MIS white cap included
UMRCA-Y #907298	RCA Feedthru, yellow. MIS yellow cap included
UMRCA-B #907321	RCA Feedthru, blue. MIS blue cap included
UMRCA-G #907320	RCA Feedthru, green. MIS green cap included
UMRCA-O #907542	RCA Feedthru, orange. MIS orange cap included
UMRCA-K #907543	RCA Feedthru, black. MIS black cap included

##### Midi and Toslink

UMMIDI #907270	MIDI Isolated Connector, solder type
UMMIDI-F #907970	MIDI Connector, 5 Pin, Feedthru, female-female
UMTOS #907311	Toslink optical audio coupler, Feedthru
UMSD-60SN #907795	6 Position Circular DIN Connector Receptacle, Female Sockets, Solder type

##### AVP Baluns

UMBLN-XFB #907244	AVP Universal Panel-mount Balun, female XLR 3Pin 110 Ohm, to BNC 75 Ohm
UMBLN-XMB #907245	AVP Universal Panel-mount Balun, male XLR 3Pin 110 Ohm, to BNC 75 Ohm
UMBLN-BXF #907246	AVP Universal Panel-mount Balun, BNC 75 Ohm, to female XLR 3Pin 110 Ohm
UMBLN-BXM #907247	AVP Universal Panel-mount Balun, BNC 75 Ohm, to male XLR 3Pin 110 Ohm
UMBLN-XFB-10 #907248	AVP Universal Panel-mount Balun, fem XLR 3Pin 110 Ohm, to BNC 75 Ohm, -10dB att.
UMBLN-BXF-10 #907249	AVP Universal Panel-mount Balun, BNC 75 Ohm, to female XLR 3Pin 110 Ohm, -10dB att.

### Ordering Information

Model Description

ALL Maxxum Modules INCLUDE MIS Black Cap and Mounting Hardware

#### XLR BLACK/GOLD DL Series

UMNC3FD-L-B-1 #907101	3 pole female receptacle, solder cups, black metal housing, gold contacts
UMNC3MD-L-B-1 #907102	3 pole male receptacle, solder cups, black metal housing, gold contacts
UMNC4FD-L-B-1 #907284	4 pole female receptacle, solder cups, black metal housing, gold contacts
UMNC4MD-L-B-1 #907293	4 pole male receptacle, solder cups, black metal housing, gold contacts
UMNC5FD-L-B-1 #907285	5 pole female receptacle, solder cups, black metal housing, gold contacts
UMNC5MD-L-B-1 #907294	5 pole male receptacle, solder cups, black metal housing, gold contacts
UMNC6FD-L-B-1 #907287	6 pole female receptacle, solder cups, black metal housing, gold contacts
UMNC6MD-L-B-1 #907295	6 pole male receptacle, solder cups, black metal housing, gold contacts
UMNC7FD-L-B-1 #907289	7 pole female receptacle, solder cups, black metal housing, gold contacts
UMNC7MD-L-B-1 #907296	7 pole male receptacle, solder cups, black metal housing, gold contacts

#### XLR BLACK/GOLD DLX Series

UMNC3FD-LX-B #907392	3 pole female receptacle, solder cups, black metal housing, gold contacts, duplex ground contact
UMNC3MD-LX-B #907393	3 pole male receptacle, solder cups, black metal housing, gold contacts, duplex ground contact
UMNC4FD-LX-B #907394	4 pole female receptacle, solder cups, black metal housing, gold contacts, duplex ground contact
UMNC4MD-LX-B #907395	4 pole male receptacle, solder cups, black metal housing, gold contacts, duplex ground contact
UMNC5FD-LX-B #907396	5 pole female receptacle, solder cups, black metal housing, gold contacts, duplex ground contact
UMNC5MD-LX-B #907397	5 pole male receptacle, solder cups, black metal housing, gold contacts, duplex ground contact
UMNC6FD-LX-B #907398	6 pole female receptacle, solder cups, black metal housing, gold contacts, duplex ground contact
UMNC6MD-LX-B #907399	6 pole male receptacle, solder cups, black metal housing, gold contacts, duplex ground contact
UMNC7FD-LX-B #907400	7 pole female receptacle, solder cups, black metal housing, gold contacts, duplex ground contact
UMNC7MD-LX-B #907401	7 pole male receptacle, solder cups, black metal housing, gold contacts, duplex ground contact

#### SpeakON Chassis Connectors

UMNL2MP #907275	2 pole chassis connector, black D-size flange. Does not intermate with the 4-pole cableconnector
UMNL4MP #907276	4 pole chassis connector, black D-size flange, silver contacts
UMNL4MP-B #907277	4 pole chassis connector, black D-size flange, gold contacts

#### Phone Jacks, rear solder terminals

UMNJ3FP6C #907390	1/4" Stereo/Mono Locking phone jack, D-size shell, nickel metal housing, silver contacts
UMNJ3FP6C-B #907391	1/4" Stereo/Mono Locking phone jack, D-size shell, black metal housing, gold contacts
UMNJ3FP6C-BAG #907307	1/4" Stereo/Mono Locking phone jack, D-size shell, black metal housing, silver contacts
UMS35J #907302	3.5mm Stereo Phone Jack
UMS35J4G-F #908072	3.5mm TRRS 4 Conductor Stereo Phone Jack, feed-thru, with isolated ground

#### Maxxum Indicator System (MIS) Color-Code Caps

MIS-30-Color #	Replace "color" with: Black, Brown, Red, Orange, Yellow, Green, Blue, Purple, Gray or White
MIS-60-Color #	Replace "color" with: Black, Brown, Red, Orange, Yellow, Green, Blue, Purple, Gray or White
MIS-100-Color #	Replace "color" with: Black, Brown, Red, Orange, Yellow, Green, Blue, Purple, Gray or White
#980562-1	30 each of 10 colors, 300 caps total
MIS-60-MULTI #907545	60 each of 10 colors, 600 caps total
MIS-100-MULTI #907546	100 each of 10 colors. 1000 caps total

\*Requires 2 Panel Spaces

### Ordering Information

Model Description

ALL Maxxum Modules INCLUDE MIS Black Cap and Mounting Hardware

#### XLR NICKEL/SILVER DLX Series

UMNC3FD-LX #907408	3 pole female receptacle, solder cups, nickel housing, silver contacts, duplex ground contact
UMNC3MD-LX #907409	3 pole male receptacle, solder cups, nickel housing, silver contacts, duplex ground contact
UMNC4FD-LX #907410	4 pole female receptacle, solder cups, nickel housing, silver contacts, duplex ground contact
UMNC4MD-LX #907411	4 pole male receptacle, solder cups, nickel housing, silver contacts, duplex ground contact
UMNC5FD-LX #907412	5 pole female receptacle, solder cups, nickel housing, silver contacts, duplex ground contact
UMNC5MD-LX #907413	5 pole male receptacle, solder cups, nickel housing, silver contacts, duplex ground contact
UMNC6FD-LX #907414	6 pole female receptacle, solder cups, nickel housing, silver contacts, duplex ground contact
UMNC6MD-LX #907415	6 pole male receptacle, solder cups, nickel housing, silver contacts, duplex ground contact
UMNC7FD-LX #907416	7 pole female receptacle, solder cups, nickel housing, silver contacts, duplex ground contact
UMNC7MD-LX #907417	7 pole male receptacle, solder cups, nickel housing, silver contacts, duplex ground contact

#### XLR NICKEL/SILVER DL Series

UMNC3FD-L-1 #907281	3 pole female receptacle, solder cups, nickel housing, silver contacts
UMNC3MD-L-1 #907292	3 pole male receptacle, solder cups, nickel housing, silver contacts
UMNC4FD-L-1 #907402	4 pole female receptacle, solder cups, nickel housing, silver contacts
UMNC4MD-L-1 #907403	4 pole male receptacle, solder cups, nickel housing, silver contacts
UMNC5FD-L-1 #907286	5 pole female receptacle, solder cups, nickel housing, silver contacts
UMNC5MD-L-1 #907404	5 pole male receptacle, solder cups, nickel housing, silver contacts
UMNC6FD-L-1 #907405	6 pole female receptacle, solder cups, nickel housing, silver contacts
UMNC6MD-L-1 #907406	6 pole male receptacle, solder cups, nickel housing, silver contacts
UMNC7FD-L-1 #907290	7 pole female receptacle, solder cups, nickel housing, silver contacts
UMNC7MD-L-1 #907407	7 pole male receptacle, solder cups, nickel housing, silver contacts

#### XLR Adapters

UMNA3FDM #907282	XLR female-male Feedthru adapter for panel mount
UMNA3MDF #907283	XLR male-female Feedthru adapter for panel mount

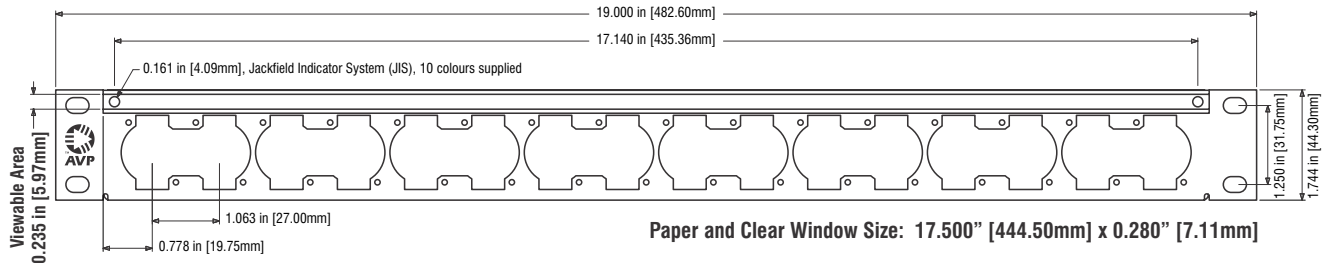
#### Edac 3 Pin

UME3R-C #907259	3 Pin EDAC Receptacle with crimp pins
UME3R-S #907260	3 Pin EDAC Receptacle with solder pins

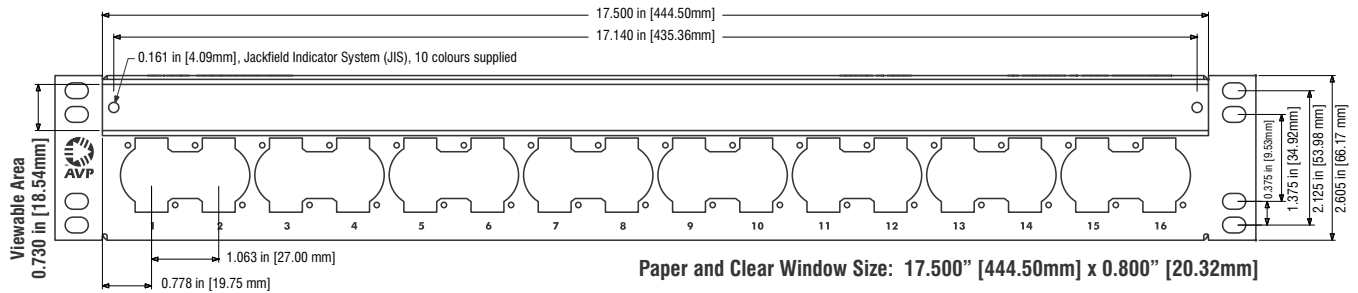
#### Maxxum Modules - Miscellaneous

UMCP #907068	Blank Cover Plate, black, covers one position
UMB2-M #907242	Banana Jacks (2), adaptor plate
UMB3-M #907243	Banana Jack Triad (3), adaptor plate
UMBP1-S #907251	Binding Post Single (1), adaptor plate
UMBP2-S #907252	Binding Post Double (2), adaptor plate
UMMD66FF #907268	PS/2 Keyboard/mini-DIN, Feedthru, female-female, adaptor plate
UMMD66FFR #907544	PS/2 Keyboard/mini-DIN, Feedthru, semi-recessed, female-female, adaptor plate
UMMTS-L #907271	Miniature Toggle Switch, DPDT, Locking Handle, 3Amps 250VAC, solder lugs
UMMRS #908074	Miniature Rocker Switch, DPDT, 6A 125V, solder lugs

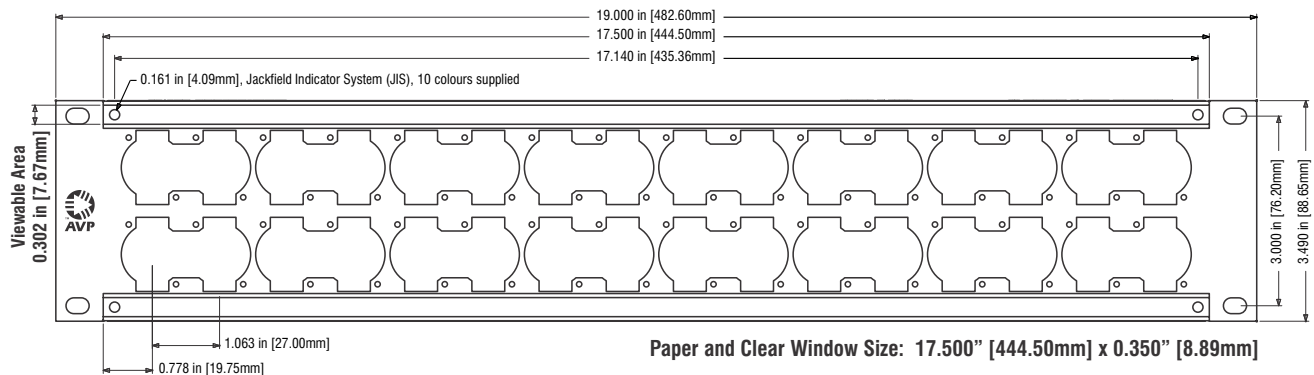
Contact AVP if your required connector is not shown



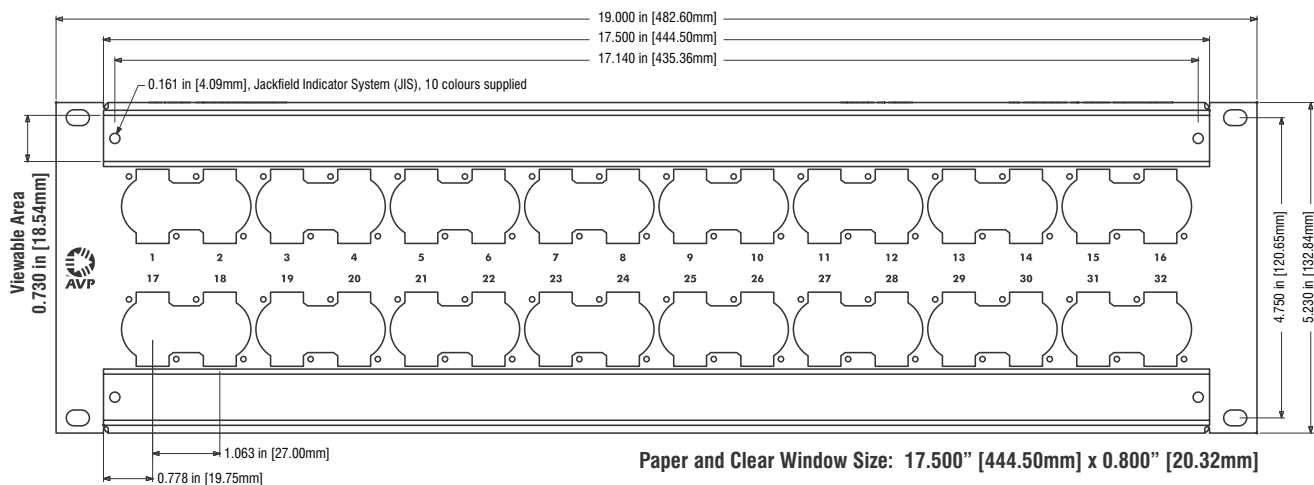
**1RU, 16 Position, WKM-U116E1-Z Series**



**1.5RU, 16 Position, WKM-U116E15-Z Series**



**2RU, 16 Position, WKM-U216E2-Z Series**



**3RU, 16 Position, WKM-U216E3-Z Series**