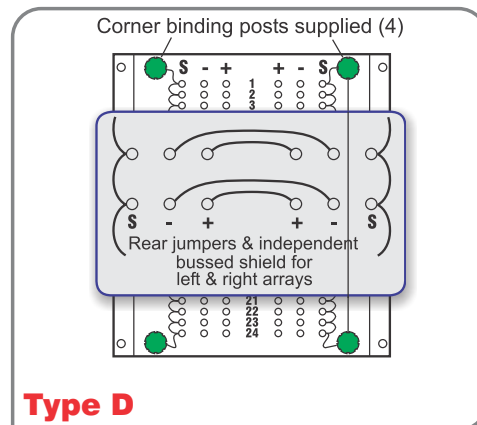
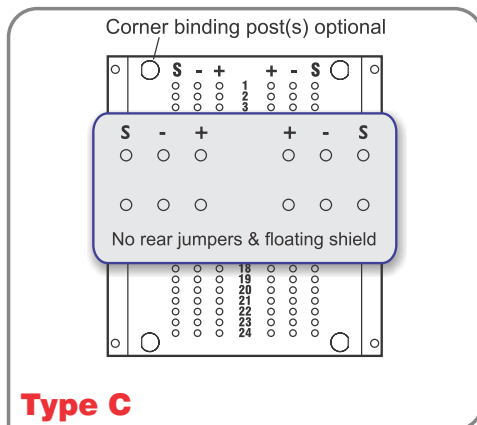
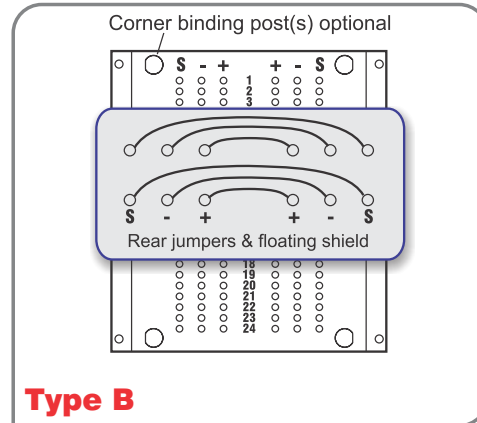
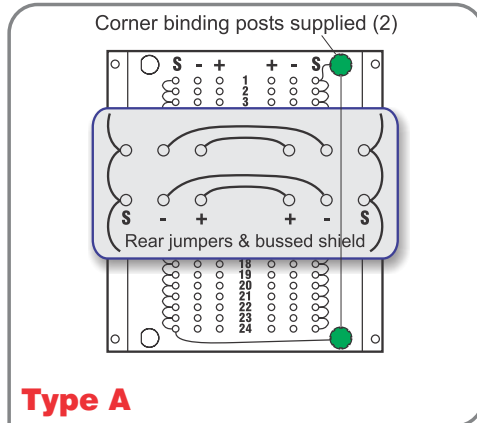


Four configurations to choose from



Ordering Information

Popular Models		
	Model	Description
RPTW-x & RPTW-EXT-x Series		
		x is replaced by A, B, C or D
Type A	RPTW-A	Punch Block with full cable management capabilities
	RPTW-EXT-A	Punch Block with cable distribution rings
Type B	RPTW-B	Punch Block with full cable management capabilities
	RPTW-EXT-B	Punch Block with cable distribution rings
Type C	RPTW-C	Punch Block with full cable management capabilities
	RPTW-EXT-C	Punch Block with cable distribution rings
Type D	RPTW-D	Punch Block with full cable management capabilities
	RPTW-EXT-D	Punch Block with cable distribution rings
Accessories	R750	Cable Ring
	AT-RPT-PTK	Punch Tool with Tip
	AT-RPT-TIP	Punch Tip