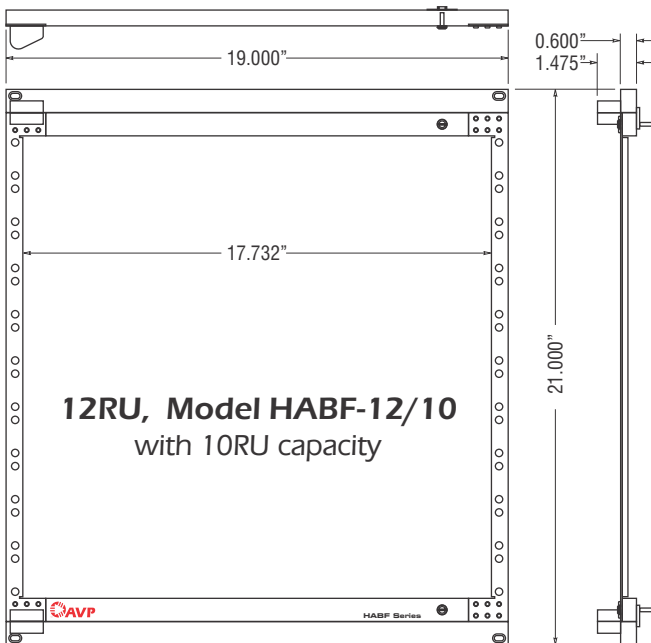
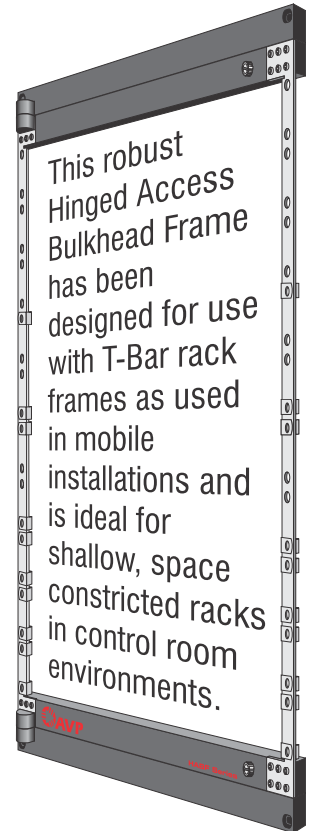


Hinged Access Bulkhead Frame

Features:

- Standard 19" NEMA EIA-310 rack spacing
- 305 stainless steel & black anodized T6061 aluminum for maximum corrosion resistance
- Supplied hardware is stainless steel, compression latches & clip nuts are RoHS compliant



12RU, Model HABF-12/10,
with 10RU capacity

10RU, Model HABF-10/8,
with 8RU capacity

8RU, Model HABF-8/6,
with 6RU capacity

6RU, Model HABF-6/4,
with 4RU capacity

