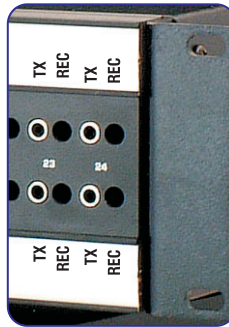
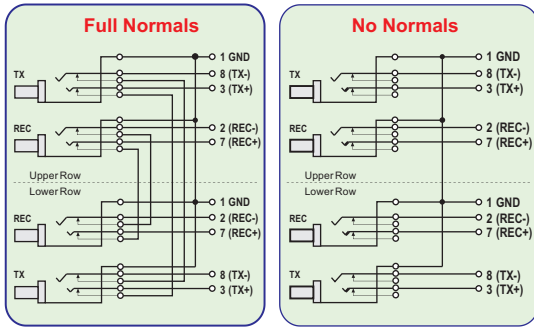


Datapatch Schematic



Note 1.
Grounds are bussed unless requested otherwise.

Note 2.
The jacks and plugs of this jackfield are polarized for the user's protection. However, use of patch cords other than the AVP Datacord or any other pair transposition within the customer's equipment will circumvent this polarity protection.

TX: Transmit
REC: Receive

Datapatch Schematic

Product Listing

| Model | Description |
|-------------------|---|
| Datapatch / RS422 | |
| JR-16N | 1RU 1.75", 45mm Panel, 8 Send/Receive Circuit Pairs, Full Normals installed at jacks |
| JR-16 | 1RU 1.75", 45mm Panel, 16 Circuits, No Normals |
| JR-32N | 2RU 3.50", 89mm Panel, 16 Send/Receive Circuit Pairs, Full Normals installed at jacks |
| JR-32 | 2RU 3.50", 89mm Panel, 32 Circuits, No Normals |
| JR-48N | 2RU 3.50", 89mm Panel, 24 Send/Receive Circuit Pairs, Full Normals installed at jacks |
| JR-48 | 2RU 3.50", 89mm Panel, 48 Circuits, No Normals |

Ordering Information

Designation Layouts

