

Hinged Access Bulkhead Frame

This robust Hinged Access Bulkhead Frame has been designed for use with T-Bar rack frames as used in mobile installations and is ideal for shallow, space constricted racks in control room environments.

Features:

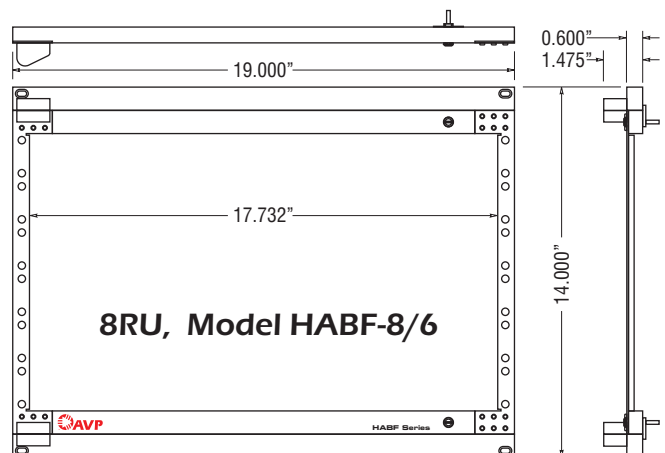
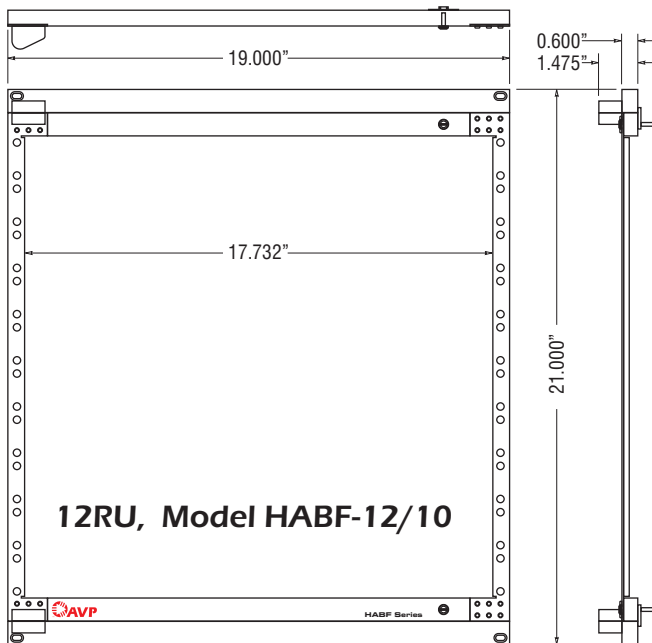
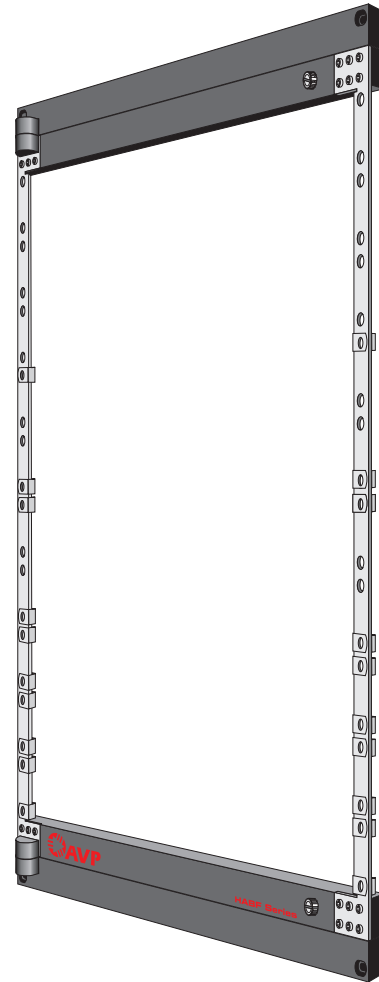
- standard 19" NEMA EIA-310 rack spacing
- 305 stainless steel & black anodized T6061 aluminum for maximum corrosion resistance
- supplied hardware is stainless steel, compression latches & clip nuts are cadmium plated

12RU, Model HABF-12/10, with 10RU capacity

10RU, Model HABF-10/8, with 8RU capacity

8RU, Model HABF-8/6, with 6RU capacity

6RU, Model HABF-6/4, with 4RU capacity



In the interest of improved design and performance, AVP reserves the right to make changes in its specifications without prior notice. Copyright © 2007 AVP MFG & Supply Inc.

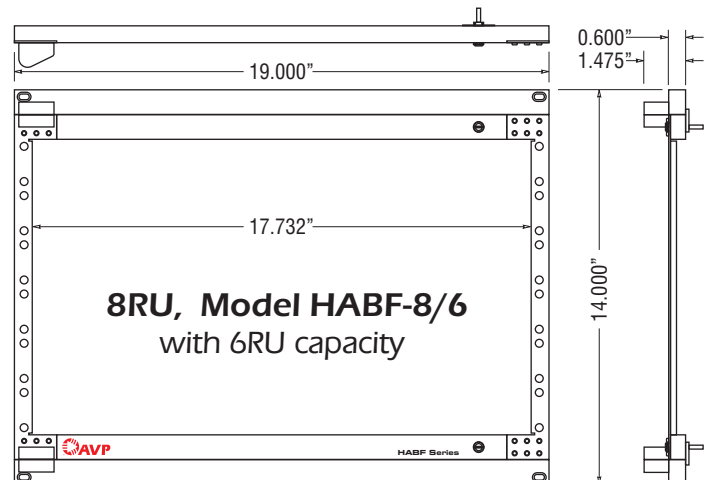
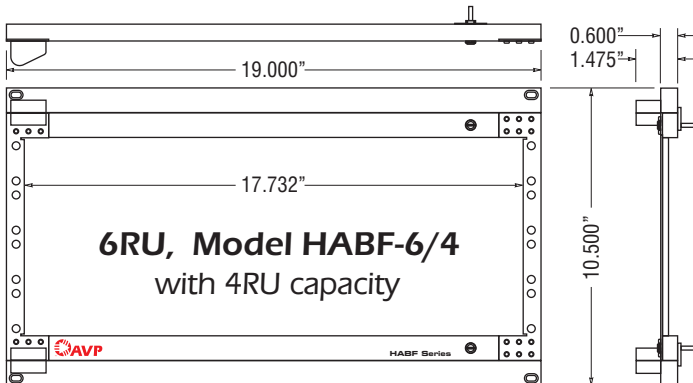
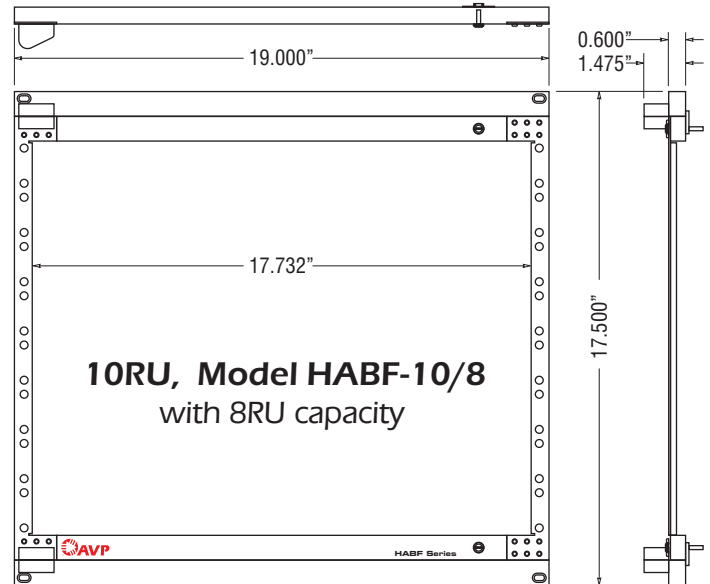
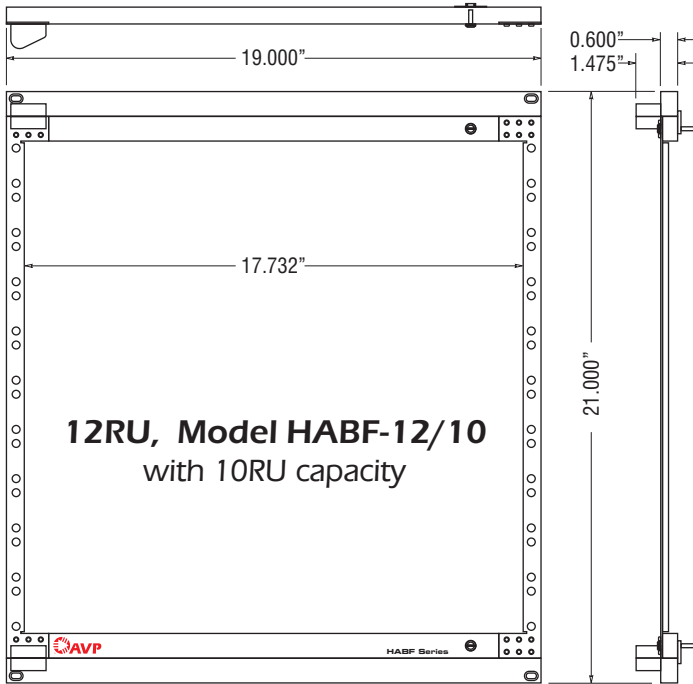




Hinged Rack Frame

Partners in Broadcast, Telecom & Satellite Solutions

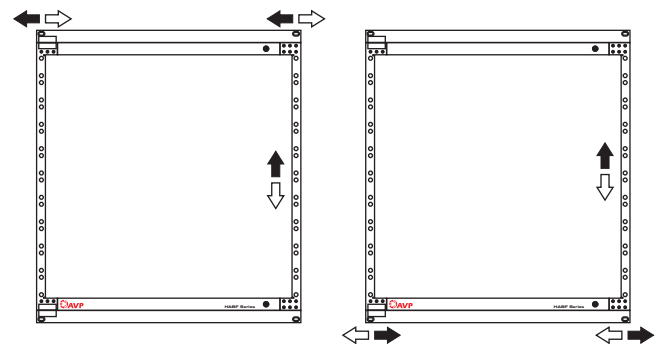
Hinged Access Bulkhead Frame



For ease of installation leave the door frame tie-wrapped to the horizontal frame pieces until secure to the rack. If they must be separated, ensure you don't lose the teflon washer in each hinge pin.

Door adjustment

If the door frame after loading with panels is drooping and rubbing on the bottom frame, loosen the top rack screws and move the horizontal frame to the left. Likewise if the bottom horizontal frame is moved to the right, the door will rise.



In the interest of improved design and performance, AVP reserves the right to make changes in its specifications without prior notice. Copyright © 2007 AVP MFG & Supply Inc.



AVP MFG & SUPPLY INC

toll free: 1-800-481-2493 USA & Canada
tel: 519-740-7966 • fax: 519-740-0131 • email: sales@jackfields.com

Audio / Video / Digital Jackfields • www.jackfields.com